



BAND AIDE AUTOMATIC BAND DECODER

1. Features Overview

The Top Ten Devices Band Aide is an accessory that attaches to your radio (or computer), decodes the band data provided by the radio, and provides automatic selection of band specific devices, such as antennas and filters. The decoder responds instantly to your QSY, properly selecting the right antenna, or even the right amplifier. Here are some of its features:

Supported Radios	Yaesu*, Icom*, and Elecraft K3. Other radios are supported by attaching the decoder to the computer's LPT port. *Check your radio's manual to determine whether your model provides band data to external devices.
Bands Decoded	Yaesu: 160 through 10, including WARC Icom: 160, 80, 60*, 40, 30, 20, 17/15, 12/10, 6m* * Consult your manual for compatibility on these bands. K3: 160 through 6, including WARC and 60m LPT: Logging software dependent
Manual Override	Although intended to be left in Automatic most of the time, the unit is provided with a rotary selector switch, allowing manual selection of each of the 11 amateur bands.
No Microprocessors	The Band Aide is designed to do its job well, and requires no software programming/configuration. There are no USB ports, and no software drivers required, resulting in consistent performance from initial set up.
Hi RFI Immunity	12Vdc CMOS logic provides high immunity to RFI.
High Current Outputs	Two sets of eleven relay outputs, each rated at 3A. Each of the two sets can be configured for either sink or 12Vdc source operation, providing flexibility to

Top Ten Devices *Band Aide* Automatic Band Decoder User Manual

control virtually any station switching device.

Two sets of five relay outputs activated by the front panel rotary switch, providing selection of up to five different antennas or devices on each band when in Automatic mode.

Contest Pairing

Two decoders can be joined with a cable to provide a positive lockout preventing two signals being transmitted at the same time.

2. Connections

Required connections to the Band Aide include power, radio, and relay outputs:

- a. Power – Use the provided 2.5mm dc power plug to connect to your 12V source at rear panel connector.
- b. Radio interface – Connect the appropriate cable between the radio and radio interface connector on the rear panel. Top Ten Devices sells cables to interface the Band Aide to many of the popular Icom, Yaesu, and Elecraft radios.
- c. Outputs – Connect your switched devices to the relay output connectors on the rear panel.

3. Decoder Modes of Operation

- a. The operational mode of the decoder is set using the front panel rotary selector switch:

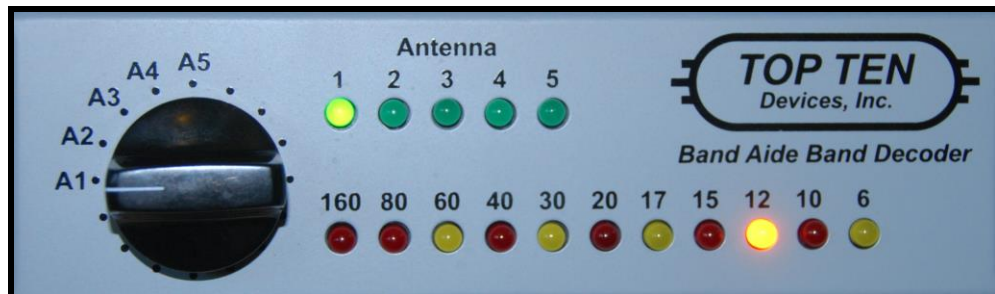


Figure 1 – Band Aide Front Panel

Top Ten Devices *Band Aide* Automatic Band Decoder User Manual

- b. There are two modes of decoder operation, as determined by the position of the front panel rotary selector switch:
 - i. Automatic – Rotate the front panel selector to any of the positions A1 through A5. In this mode, the decoder follows the radio's frequency, and provides outputs to select the appropriate band-specific antenna/device. Positions A1 through A5 are identical with respect to the normal operation of the decoder in Automatic mode, and it is recommended that the selector be left in position A1. Positions A2 through A5 positions provide useful flexibility in configuring the decoder for multiple antennas for a given band. This is explained in more detail below.

In Auto, the LED for the detected band is illuminated. (It should be noted that if the radio is in cross-band split, the band decoded is the TRANSMIT VFO's band.)
 - ii. Manual – Rotate the selector away from A1-A5 until the LED corresponding to the selected band is illuminated. The internal decoder is disabled in this mode of operation. Only the relay outputs for the manually selected band are activated.
 - iii. LED Colors – LEDs for the six contesting bands are red; the WARC bands, 60m and 6m have yellow LEDs.

- c. Alternate Antennas in Automatic Mode

- i. In any of the A1 through A5 positions, the decoder is in automatic mode, and is decoding the band data from the radio. The relay outputs for the radio's band are activated. See Para. 4.a below. In this sense, positions A1 through A5 are totally equivalent. If there is only a single antenna or other band-specific device available for any band, then the selector switch should be left in Position A1.
- ii. If the station configuration includes more than one antenna or band-specific device on one or more bands, Positions A2 through A5 provide a convenient way to select these devices.
- iii. The front panel green "Antenna" LEDs are a visual cue as to which set of antennas has been selected. See Figure 1.

Top Ten Devices *Band Aide* Automatic Band Decoder User Manual

- iv. Separate relay contacts are provided corresponding to the A1 through A5 positions of the rotary selector switch. These are present on the rear panel on a dedicated connector.
- v. Some examples of how this feature could be used:
 - 1. A1 selects CW band antennas, A2 selects SSB band antennas
 - 2. A1 selects main antennas, A2 selects secondary antennas

Further explanation of how to use this feature, along with actual examples, are contained in later sections of this manual.

Summary – Modes of Operation

- Rotary Selector Switch provides **manual** selection of the 11 bands, as well as **automatic** detection of the radio's band.
- In automatic mode, the selector switch allows manual selection of up to 5 antennas or devices for the detected band.
- LEDs provide visual feedback for automatic and manual band selection.

4. The Relay Outputs

- a. The relay contact outputs for the 11 bands are arranged in two groups, Group 1 and Group 2, for a total of 22 contact outputs.

Pin	Function	Pin	Function
1	Group 1 – 10m	14	Group 2 – 10m
2	Group 1 - 15m	15	Group 2 - 15m
3	Group 1 - 20m	16	Group 2 - 20m
4	Group 1 - 40m	17	Group 2 - 40m
5	Group 1 - 80m	18	Group 2 - 80m
6	Group 1 - 160m	19	Group 2 - 160m
7	Group 1 - 30m	20	Group 2 - 30m
8	+12Vdc output	21	Group 2 - 17m
9	Ground	22	Group 2 - 12m
10	Group 1 - 17m	23	Group 2 - 6m

Top Ten Devices *Band Aide* Automatic Band Decoder User Manual

11	Group 1 - 12m	24	Group 2 - 60m
12	Group 1 - 6m	25	Ground
13	Group 1 - 60m		

Figure 2 – Pinouts of Relay Output Connector J2 (DB25F)

- b. Group 1 contacts can be configured as either sink (switched to ground) or source (0Vdc when deactivated, 12Vdc when activated) by moving the jumper on internal programming header PH1.
- c. Similarly, Group 2 contacts can be configured as either sink (switched to ground) or source (0Vdc when deactivated, 12Vdc when activated) by moving the jumper on internal programming header PH2.
- d. Group 1 and Group 2 are independently programmed, and either Group can be sink or source. To access the jumper headers, take off the top cover and locate PH1 and PH2 in the rear right corner of the relay board, as shown in the following photograph:



Photo 1 – Group 1 and 2 sink/source configuration headers PH1 and PH2

Note: The decoder is shipped with Group 1 programmed for sink and Group 2 programmed for source, as shown in the photo above.

- e. The relay contacts from each Group, before going to the Output Connector J2 (ref. Para. 4.a), are routed through what is referred to as a programming header, which is actually an IC socket. The decoder is shipped with a “jumper plug” installed in both Group 1 and Group 2 programming headers, as shown below:

Top Ten Devices *Band Aide* Automatic Band Decoder User Manual

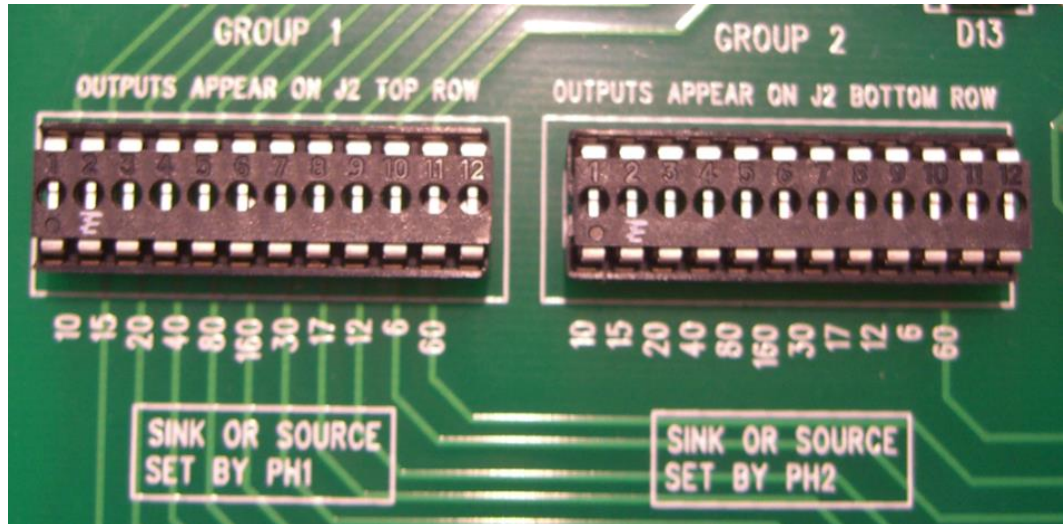


Photo 2 – Group 1 and 2 Programming Headers with jumper plugs installed (as shipped)

- f. As can be seen in the above photo, the relay outputs for the various bands come into programming header on one side and the lines connecting to the output connector are on the other side. It is important to note that if these two jumper plugs are left in place, the relay output contacts for each Group and each band appear on output connect J2 as shown in Figure 2 in Para. 4.a. However, by removing one or both of these jumpers, the relay contacts from various bands can be combined in various ways. A typical example would be to combine the 10, 15, and 20m relay outputs so that a single external antenna relay would select a tribander. Use of these headers to “program the outputs” provides the station owner with a very powerful method of automatically selecting the desired antennas and other devices as the radio’s frequency band is changed. Detailed examples of this will be given later.
- g. In Automatic (positions A1 through A5 on the rotary switch), the decoder continues to decode the band data from the radio and the appropriate relays are activated. Positions A1 through A5 are totally equivalent with respect to the band decoding function. However, an additional set of 5 relays are activated by the selector switch in positions A1 through A5.
 - i. The outputs of the relays associated with A1 through A5 appear on output connector J3.
 - ii. There are two sets of five contacts. Each set is either sink or source configured.

Top Ten Devices *Band Aide* Automatic Band Decoder User Manual

- iii. The sink or source configuration for each set (Group) is set by the jumper on programming headers PH1 and PH2. Therefore, if the Group 1 set of main decoder outputs are configured for sink operation installing the jumper on PH1 to short pins 2 and 3, then the Group 1 outputs are also configured to sink operation. Detailed examples of how to use these outputs are shown later in the manual.

Summary – Relay Outputs

- Group 1 – Individual contacts for 11 bands, sink or source selectable
- Group 2 – Individual contacts for 11 bands, sink or source selectable
- Programming Headers available for both Group 1 and Group 2 band relay outputs
- 2 sets of 5 auxiliary contacts available for selection of external devices, corresponding to the A1-A5 position of the rotary selector switch
- Examples of typical configurations are shown elsewhere in this manual.

5. Pairing with a Second Band Aide Decoder for Contest Multi-Radio Operation

- a. Competitive SO2R and multi-operator contest stations often have two or more stations that are capable of operating on the same band. Sometime, the rules state that only one signal can be on the air at any time, regardless of band. Adherence to these types of contest rules require that a positive interlock be provided to prevent violations.
- b. In such a contest station, two Band Aide decoders can be interconnected such that their associated transmitters will be prevented from transmitting (“inhibited”) in the event that both radios are on the same band. This not only assures rules compliance, but also avoids accidental radio damage that may occur otherwise.

Top Ten Devices *Band Aide* Automatic Band Decoder User Manual

- c. The Band Aide can directly inhibit (prevent from transmitting) the following radios:
 - i. Elecraft K3 – Set TX INH in the menu to “HI = Inh”
 - ii. Most modern desktop Yaesu transceivers, such as FT-1000/2000/5000/9000 etc. (The Yaesu radios are by default set to inhibit the transmitter on a 12 Vdc signal on the inhibit line.)

The control signal that inhibits the transmitter is included in the interface cable between the radio and the decoder.

- d. Interconnection of the two decoders is accomplished with a cable connecting the J5 “Data IO” jacks on the rear panels of both decoders. This cable shares band data between the two decoders.
- e. The decoder also has an input for the “PTT” line from the other transmitter, so that the decoder knows when the other transmitter is on the air.
- f. Response of the band decoder to the external data (other radio’s band data and PTT status) is set by operation of S1, which is a small 4-circuit toggle switch located on the read panel:

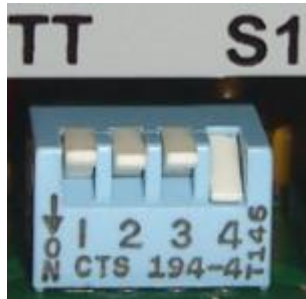


Photo 3 – Decoder Pairing Function Selector Switch S1
(Shown with S1-1 through S1-3 off, and S1-4 on.)

S1 ON	Response
1 + 3	My transmitter will be inhibited when: The other radio is on a different band and then goes into transmit OR the other radio is not transmitting, but moves to my band
2	My transmitter will be inhibited when: The other radio is on my band

Top Ten Devices *Band Aide* Automatic Band Decoder User Manual

3	My transmitter will be inhibited when: The other radio is transmitting.
4	Blinks the LED when both radios are on the same band.

6. Limited Warranty – Top Ten Devices warrants this unit to be free from defects in parts and workmanship for a period of one year. The unit will be either repaired or replaced, at our discretion. The only cost will be the cost of return shipping. If repairs are required during the warranty period for other than manufacturing or parts defects, an estimate of the repair cost will be provided prior to repair.

Top Ten Devices is not responsible for any consequential damages to other equipment or personnel injury as a result of using this product, or any of the suggested uses.

If the terms of the above Warranty and Limitation of Liability are not acceptable, please return the unit to Top Ten Devices for a full refund.

7. Specifications

Power Supply Voltage +12 to +15 volts dc
 Current required (no relays)..... 100 mA
 Output current capability
 Each relay contact 1 A each
 Total for the entire unit 2 A

Appendices

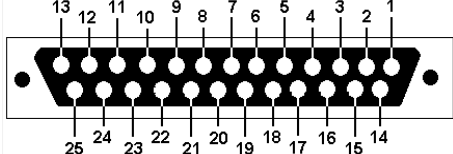
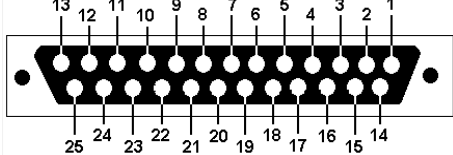
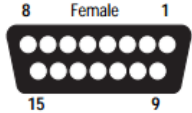
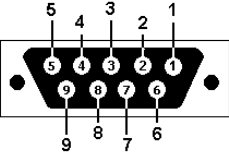
1. Connector Pin Assignments
2. Radio Interface Cable Wiring
3. Output Contact Configuration Examples
4. Blank Output Contact Configuration Worksheet

Appendix 1

Connector Pin Assignments

Top Ten Devices *Band Aide* Automatic Band Decoder User Manual

Decoder Rear Panel Connectors (Rear View)

Connector	Purpose	Type	Function
J1	Radio interface	DB25F	
J2	Antenna relays	DB25F	
J3	Alternate Antenna Selection	DA15F	
J4	12Vdc Power	2.5mm	
J5	Decoder Pairing	DB9F	
J7	Radio PTT Input to decoder	RCA	

Top Ten Devices *Band Aide* Automatic Band Decoder User Manual

Connector	Purpose	Pin	Function
J1	Radio interface	1	No connection
		2	Yaesu/K3/LPT Band Data A input
		3	No connection
		4	No connection
		5	No connection
		6	Icom Band Voltage input
		7	Yaesu/K3/LPT Band Data B input
		8	Yaesu/K3/LPT Band Data C input
		9	Yaesu/K3/LPT Band Data D input
		10	Icom Reference Voltage input
		11	No connection
		12	+12Vdc power input (1)
		13	No connection
		14	No connection
		15	No connection
		16	No connection
		17	No connection
		18	Yaesu/K3 TX Inhibit output
		19	K3 Inhibit level select: Grounded = K3(2) Open = Yaesu
		20	Ground
		21	Ground
		22	Ground
		23	Ground
		24	Ground
		25	Ground

Notes:

1. Power to the decoder may be supplied on J1-12. This input is wired in parallel with the preferred 12Vdc power input connector J4. Series diodes are in each line to prevent circulating currents in the even that both sources are connected simultaneously.
2. Pin 19 is grounded by a jumper between Pins 19 and 20 on the K3 radio interface cable plug. The proper inhibit signal output level is thus selected merely by plugging the K3's interface cable into J1. Ref. the cable wiring diagram in Appendix 2.

Top Ten Devices *Band Aide* Automatic Band Decoder User Manual

Connector	Purpose	Pin	Function
J2	Relay Outputs	1	Group 1 – 10m
		2	Group 1 - 15m
		3	Group 1 - 20m
		4	Group 1 - 40m
		5	Group 1 - 80m
		6	Group 1 - 160m
		7	Group 1 - 30m
		8	+12Vdc output
		9	Ground
		10	Group 1 - 17m
		11	Group 1 - 12m
		12	Group 1 - 6m
		13	Group 1 - 60m
		14	Group 2 – 10m
		15	Group 2 - 15m
		16	Group 2 - 20m
		17	Group 2 - 40m
		18	Group 2 - 80m
		19	Group 2 - 160m
		20	Group 2 - 30m
		21	Group 2 - 17m
		22	Group 2 - 12m
		23	Group 2 - 6m
		24	Group 2 - 60m
		25	Ground

Top Ten Devices *Band Aide* Automatic Band Decoder User Manual

Connector	Purpose	Pin	Function
J3	Alternate Ants	1	Alternate Ant 1 - Group 2
		2	Alternate Ant 1 - Group 1
		3	Alternate Ant 2 - Group 2
		4	Alternate Ant 2 - Group 1
		5	Alternate Ant 3 - Group 2
		6	Alternate Ant 3 - Group 1
		7	Alternate Ant 4 - Group 2
		8	Alternate Ant 4 - Group 1
		9	Alternate Ant 5 - Group 2
		10	Alternate Ant 5 - Group 1
		11	No connection
		12	No connection
		13	No connection
		14	+12Vdc
		15	Ground

Note: Alternate Antenna Outputs Group 1 and Group 2 follow the programming for Sink or Source as configured for the main outputs. For example, if Group 1 outputs as seen on J2 are configured to be Source lines, then Alternate Ant x – Group 1 outputs will also be configured at Source.

Connector	Purpose	Pin	Function
J4	+12Vdc power	Center	12Vdc power to the decoder and external antenna relays

Connector	Purpose	Pin	Function
J5	Decoder pairing	1	This decoder Band Data A output
		2	This decoder Band Data B output
		3	This decoder Band Data C output
		4	This decoder Band Data D output
		5	Other decoder Band Data A input
		6	Other decoder Band Data B input
		7	Other decoder Band Data C input
		8	Other decoder Band Data D input
		9	Ground

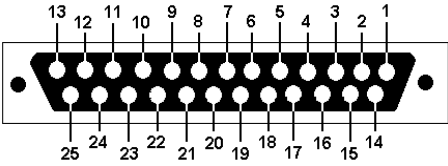

Appendix 2

Radio Interface Cable Wiring

Top Ten Devices *Band Aide* Automatic Band Decoder User Manual

Yaesu Radios with Band Data Jack

Band Decoder Connector / Pin		Function	Radio Connector / Pin	
J1	2	Data A	Band Data	4
J1	7	Data B	Band Data	5
J1	8	Data C	Band Data	6
J1	9	Data D	Band Data	7
J1	25	Ground	Band Data	3
J1	18	TX Inhibit (1)	Band Data	8
J1	12	+12Vdc (2)	Band Data	1

	
Looking at rear of decoder	Looking at radio rear panel

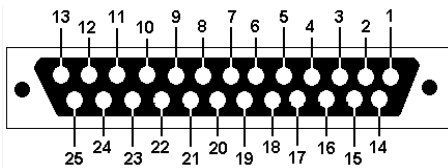
Notes:

1. TX Inhibit connection between decoder and radio is required for pairing with another Band Aid Decoder for same-band lockout. See discussion in Paragraph **5**.
 - a. This wire is included in the pre-made cable available from Top Ten Devices.
 - b. If homebrewing this cable, and no pairing with another Band Aid Decoder is intended, then connect this wire to J2-24 (Ground) in lieu of J2-18. This permanently enables the radio to transmit.
2. The recommended way to power the decoder is via power input connector J4 on the decoder's rear panel. A well-regulated power supply should be used. It is possible, but not recommended, to power the decoder from the radio by connecting J2-12 to Band Data Jack Pin **1**. Extreme caution is advised, as a short on this line could blow a fuse internal to the radio (best case) or cause damage to the radio (worst case). This wire is not included in pre-made cables available from Top Ten Devices.
3. The radio's Band Data jack is not a standard 8-pin DIN, but rather is a "262 degree" version. Your Yaesu distributor can provide you with the correct plug. Attempted use of a standard 270 degree plug will break the jack on the radio.

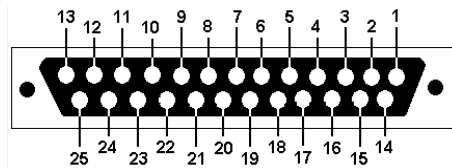
Top Ten Devices *Band Aide* Automatic Band Decoder User Manual

Computer with LPT Port

Band Decoder Connector / Pin		Function	Radio Connector / Pin	
J1	2	Data A	LPT	2
J1	7	Data B	LPT	7
J1	8	Data C	LPT	8
J1	9	Data D	LPT	9
J1	25	Ground	LPT	25



Looking at rear of decoder



Looking at computer rear panel

Notes:

1. A 25-wire straight through computer cable is suitable for this application.
2. Consult your logging software program documentation to determine how to enable band data on the LPT port.

Top Ten Devices *Band Aide* Automatic Band Decoder User Manual

Icom Radios with 7-Pin ACC2 Jack

Band Decoder Connector / Pin		Function	Radio Connector / Pin	
J1	6	Band Voltage	ACC2	4
J1	25	Ground	ACC2	2
J1	10	Ref. Voltage	ACC2	1
J1	12	+12Vdc (1)	ACC2	7

Looking at rear of decoder	Looking at radio rear panel

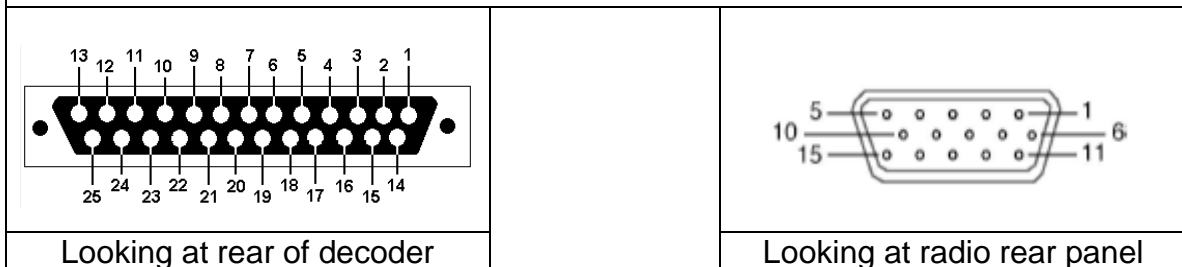
Notes:

1. The recommended way to power the decoder is via power input connector J4 on the decoder's rear panel. A well-regulated power supply should be used. It is possible, but not recommended, to power the decoder from the radio by connecting J2-12 to ACC2 Pin 7. Extreme caution is advised, as a short on this line could blow a fuse internal to the radio (best case) or cause damage to the radio (worst case). This wire is not included in pre-made cables available from Top Ten Devices.

Top Ten Devices *Band Aide* Automatic Band Decoder User Manual

Elecraft K3

Band Decoder Connector / Pin		Function	Radio Connector / Pin	
J1	2	Data A	ACC	13
J1	7	Data B	ACC	3
J1	8	Data C	ACC	9
J1	9	Data D	ACC	14
J1	25	Ground	ACC	5
J1	18	TX Inhibit (1)	ACC	7
J1	19	} Jumper (2)		
J1	20			



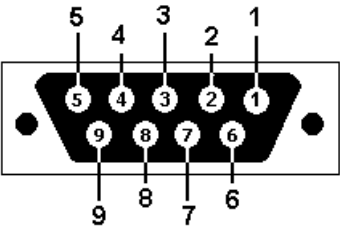
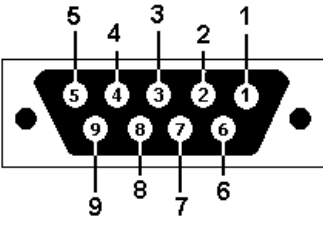
Notes:

1. TX Inhibit connection between decoder and radio is required for pairing with another Band Aid Decoder for same-band lockout. See discussion in Paragraph 5. This wire is included in the pre-made cable available from Top Ten Devices.
2. Pins 19 and 20 are jumpered on the DB25M connector.
3. K3 must be set to inhibit the transmitter on a 12Vdc signal on J2-18. Go to CONFIG > TX INH and select "HI = Inh".

Top Ten Devices *Band Aide* Automatic Band Decoder User Manual

Pairing Cable Between Two Decoders for Transmit Inhibit

Band Decoder 1 Connector / Pin		Function	Band Decoder 2 Connector / Pin	
J5	1	Band Data A ->	J5	5
J5	2	Band Data B ->	J5	6
J5	3	Band Data C ->	J5	7
J5	4	Band Data D ->	J5	8
J5	5	<- Band Data A	J5	1
J5	6	<- Band Data B	J5	2
J5	7	<- Band Data C	J5	3
J5	8	<- Band Data D	J5	4
J5	9	Ground	J5	9

	
Looking at rear of decoder	Looking at rear of decoder

Notes:

1. This cable is used to exchange radio current band data between two decoders. In the event that both radios are on the same band, both radios will be prevented from sending RF (transmit inhibited) to protect the other radio's front end.

Appendix 3

Output Contact Configuration

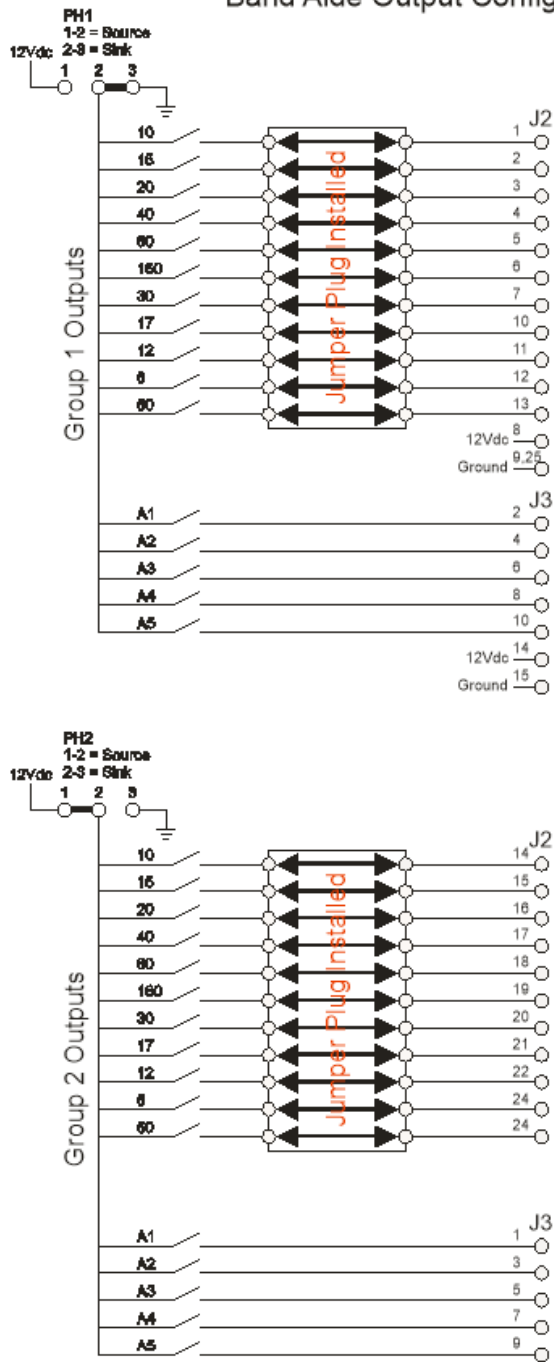
Examples

Work in Progress – More Examples to be added

Inquire to N3RD@ARRL.NET with specific questions.

Top Ten Devices *Band Aide* Automatic Band Decoder User Manual

Band Aide Output Configuration Worksheet



Revision 1 - 12/18/15

Figure A3-1 – As shipped configuration. Band outputs appear directly on corresponding J2 pins, due to jumper plug installed. Ref. Para. 4.f.

Top Ten Devices *Band Aide* Automatic Band Decoder User Manual

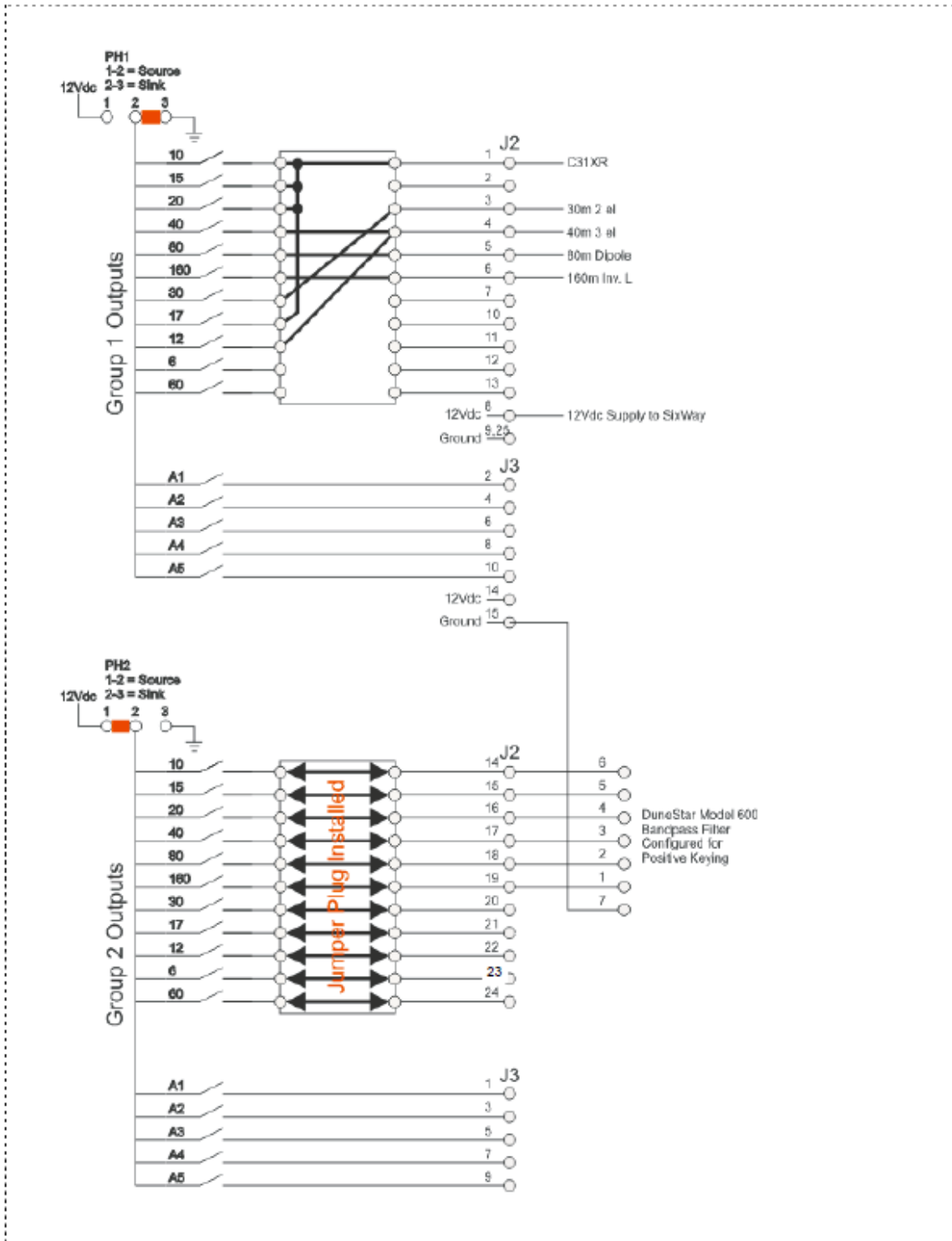


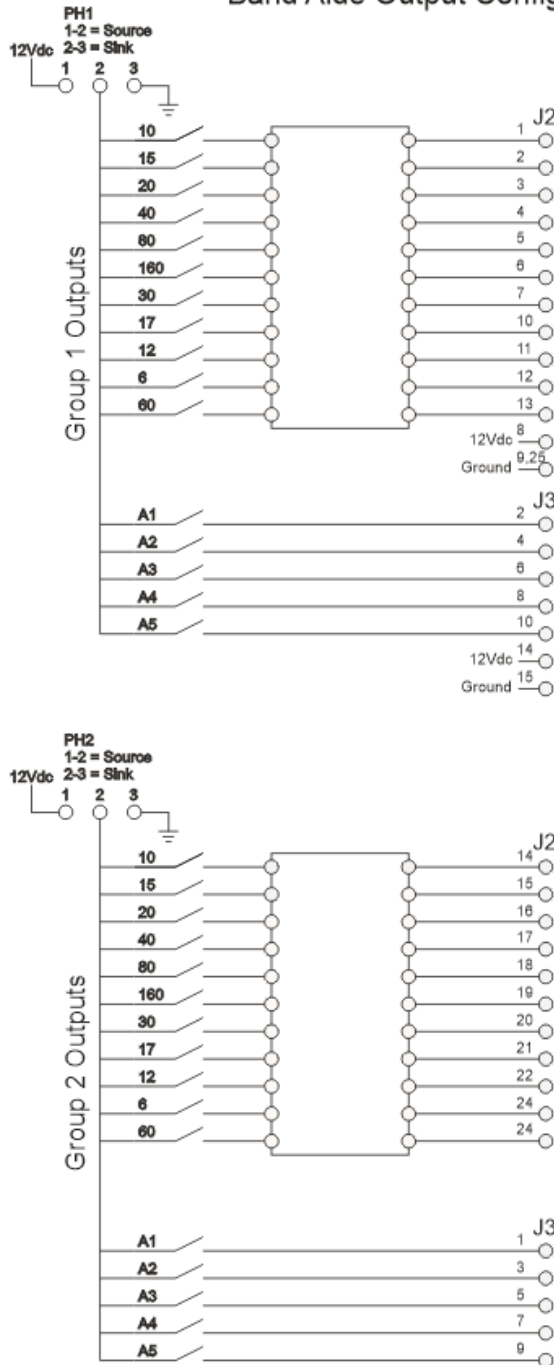
Figure A3-2:
 Group 1 – Tribander and four mono-band antennas
 Group 2 – DuneStar Model 600 configured for positive keying

Appendix 4

Blank Output Contact Configuration Worksheet

Top Ten Devices *Band Aide* Automatic Band Decoder User Manual

Band Aide Output Configuration Worksheet



Revision 1 - 12/18/15

Figure A4-1 – Blank Worksheet. NOTE: Select Sink or Source for each of Group 1 and 2 Output banks at PH1 and PH2 respectively.

Top Ten Devices *Band Aide* Automatic Band Decoder User Manual

Revision History

- 11/10/13 On pages 16-19, the Band Aide input connector was incorrectly listed as J2. Fixed to J1.
- 1/19/14 Added 60 and 6m as decoded bands for some models of Icom transceivers. Users should review their radio owner's manual to determine whether their particular model supports these bands.
- 12/18/15 Fixed pinouts on J3 (Group 1 and Group 2 were reversed) on Page 22 and 26.

Page 16, Fixed Yaesu Band Data Pin for 12Vdc to Pin 1.
- 6/25/16 Page 7, third bullet, fixed typo. "Group 1 and Group 1" should have been "Group 1 and Group 2."